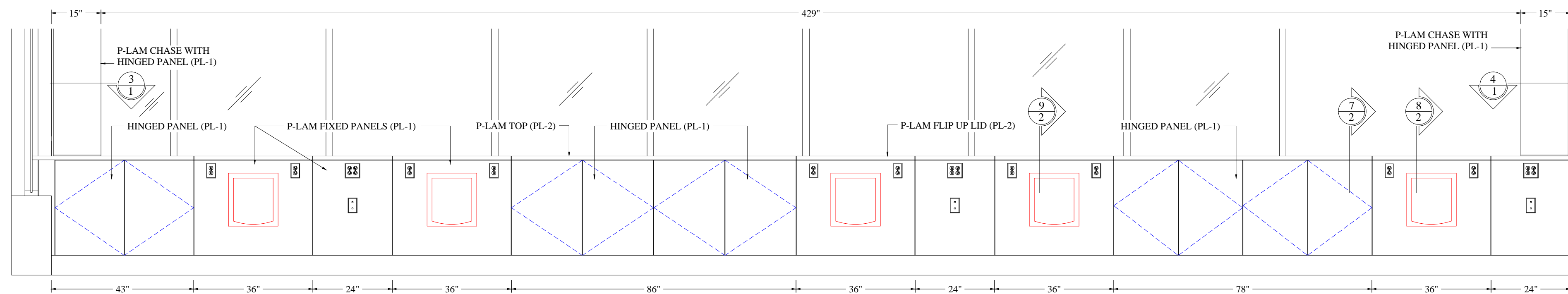
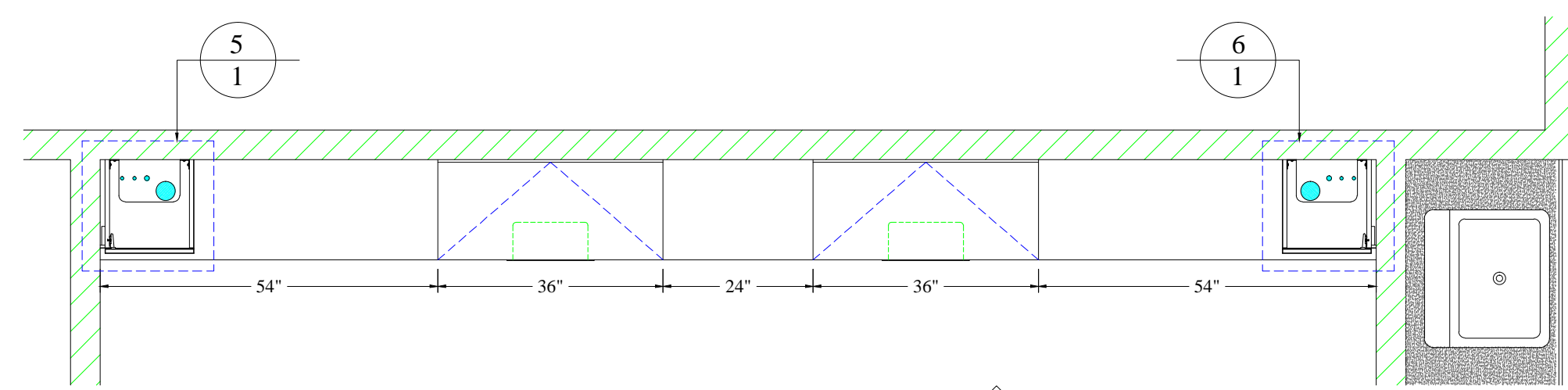


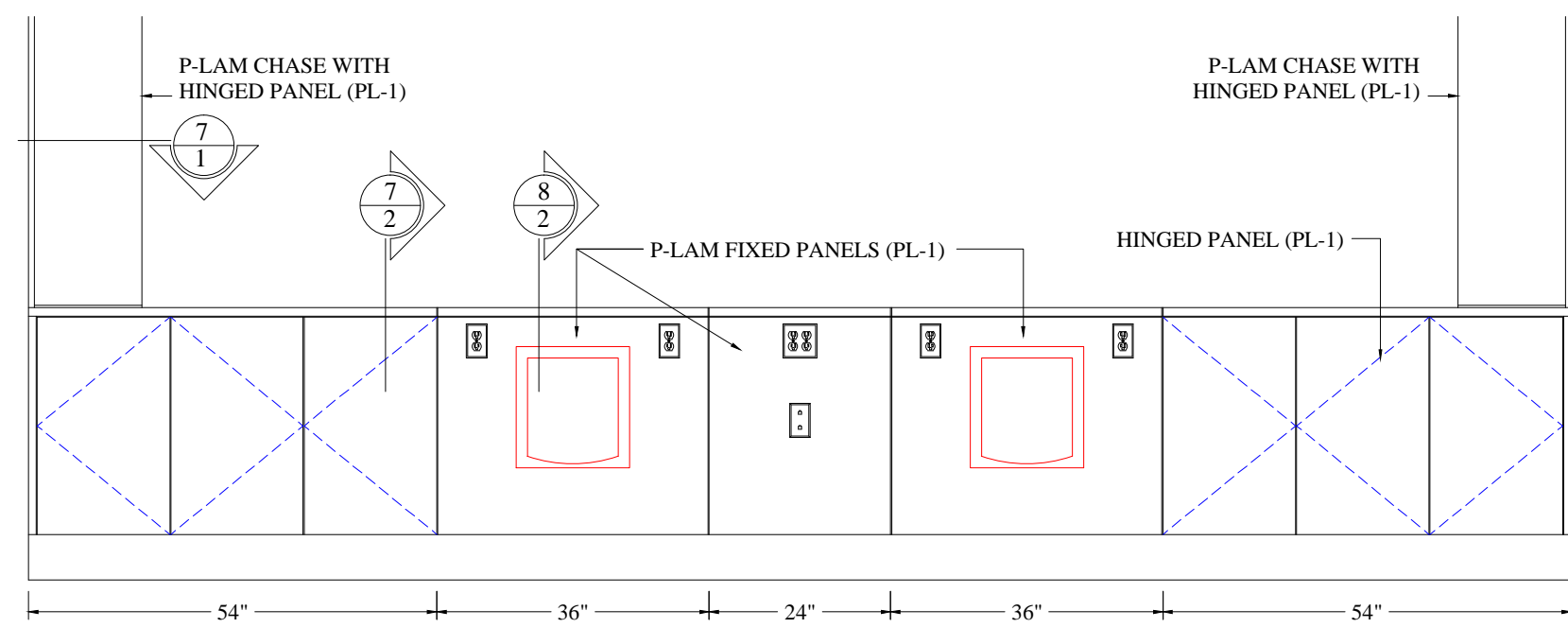
PLAN VIEW @ TREATMENT FLOOR CHASE
1/2" = 1'



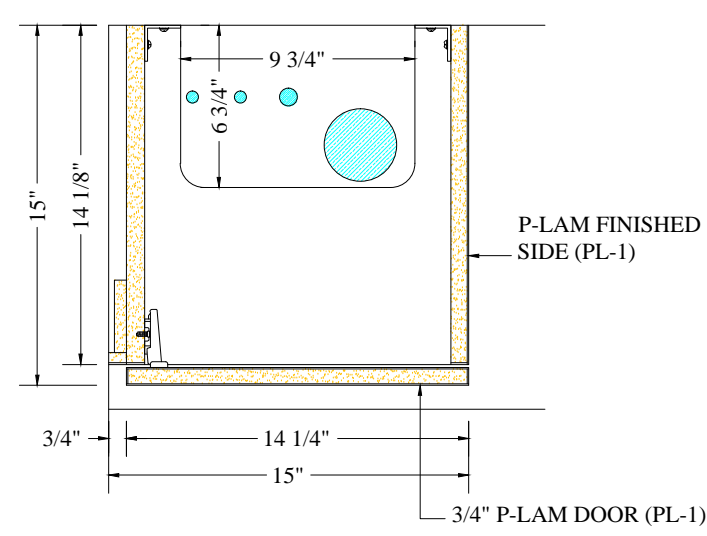
ELEVATION @ TREATMENT FLOOR CHASE
1/2" = 1'



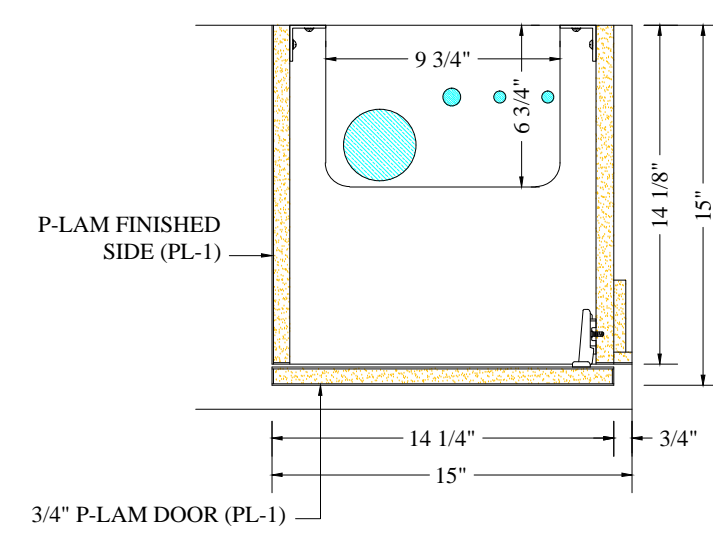
PLAN @ TREATMENT FLOOR CHASE
1/2" = 1'



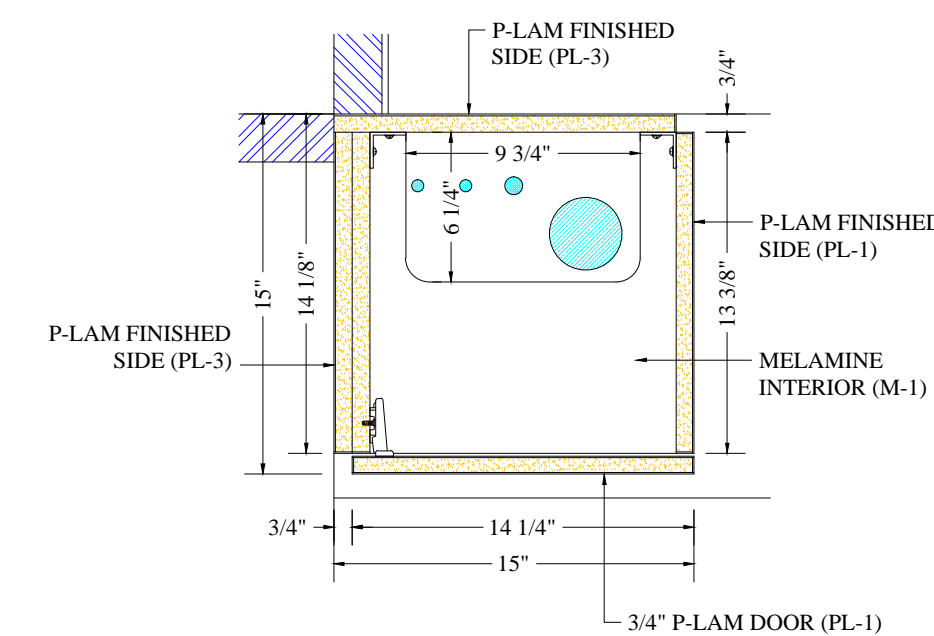
ELEVATION @ TREATMENT FLOOR CHASE
1/2" = 1'



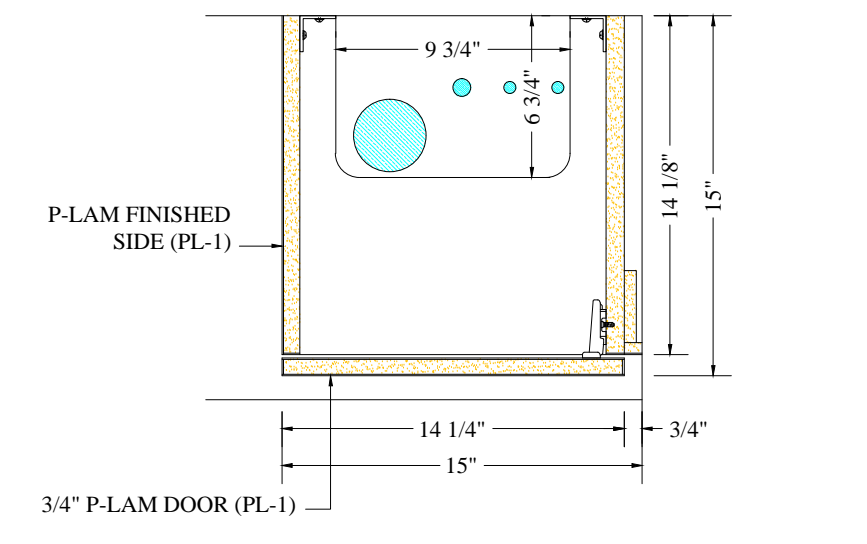
SECTION @ PD-HHD-EXAM
1 1/2" = 1'



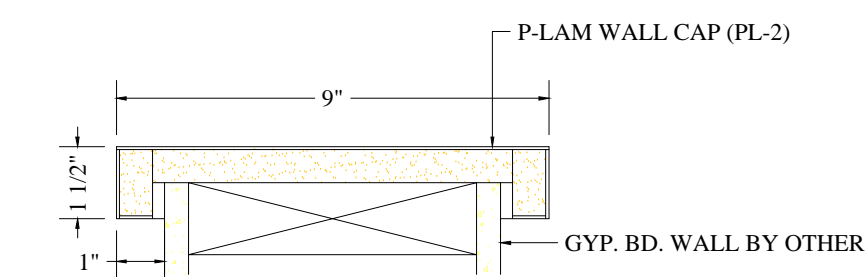
SECTION @ PD-HHD-EXAM
1 1/2" = 1'



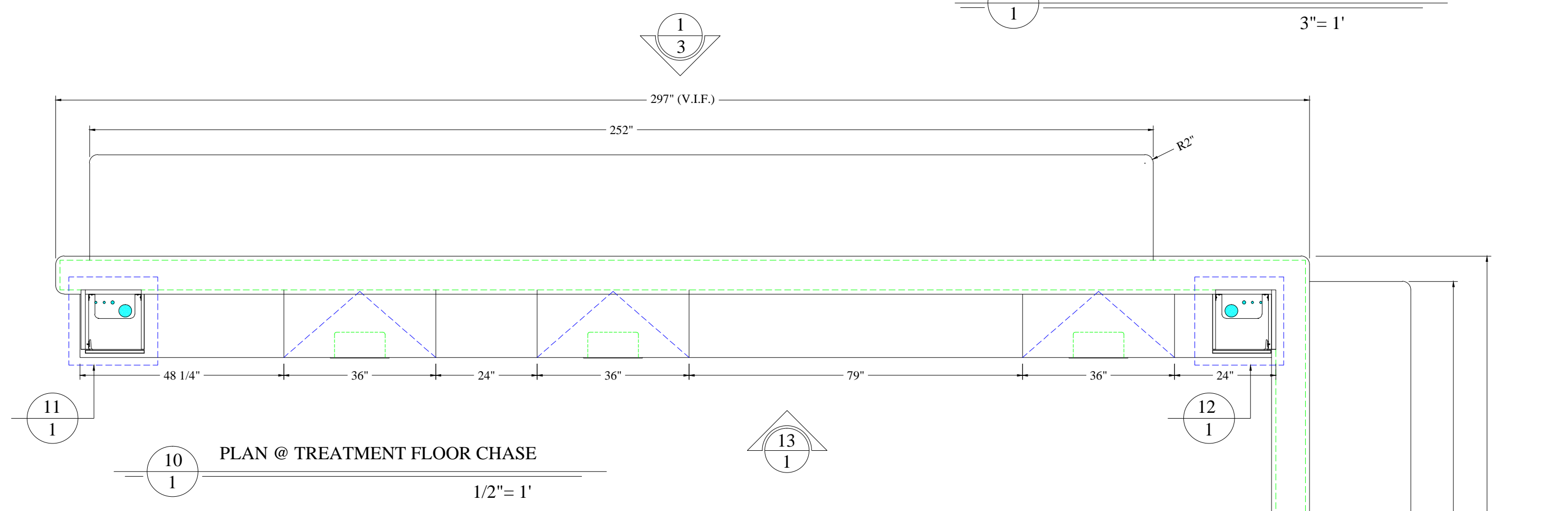
SECTION @ PD-HHD-EXAM
1 1/2" = 1'



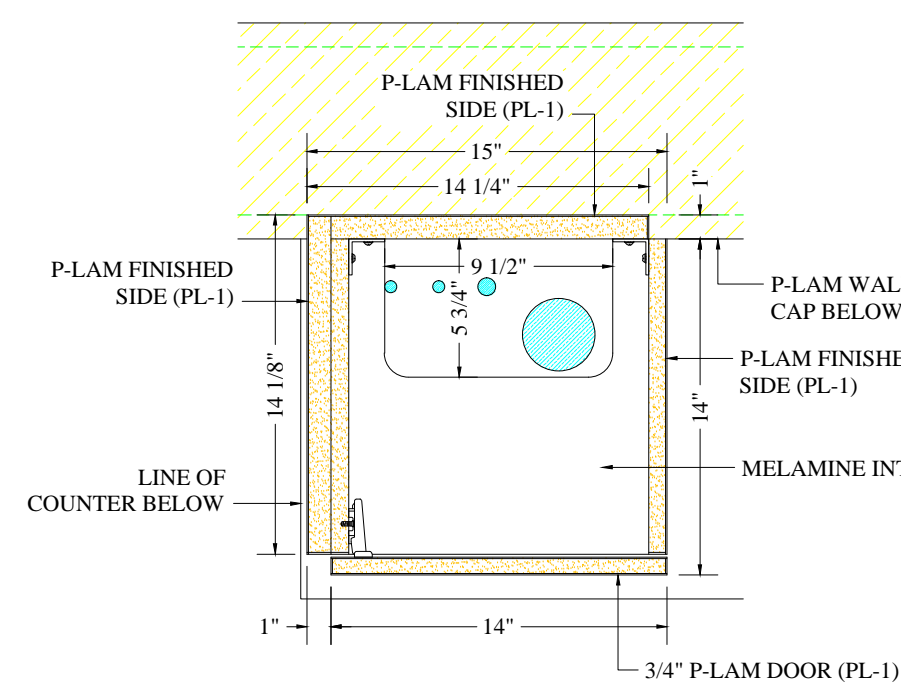
SECTION @ PD-HHD-EXAM
1 1/2" = 1'



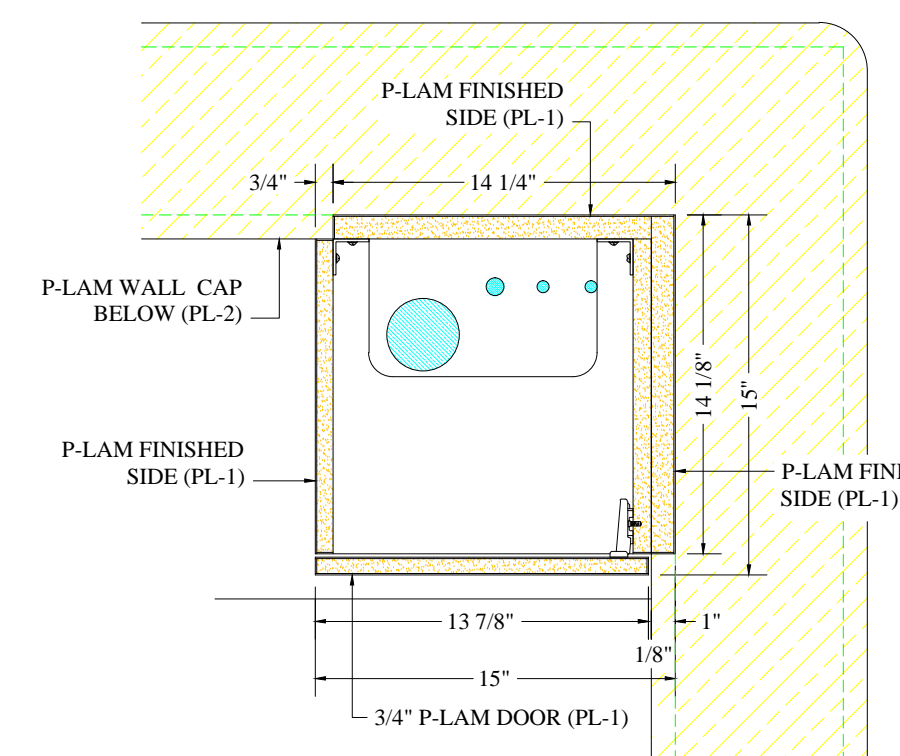
SECTION @ WALL CAP
3" = 1'



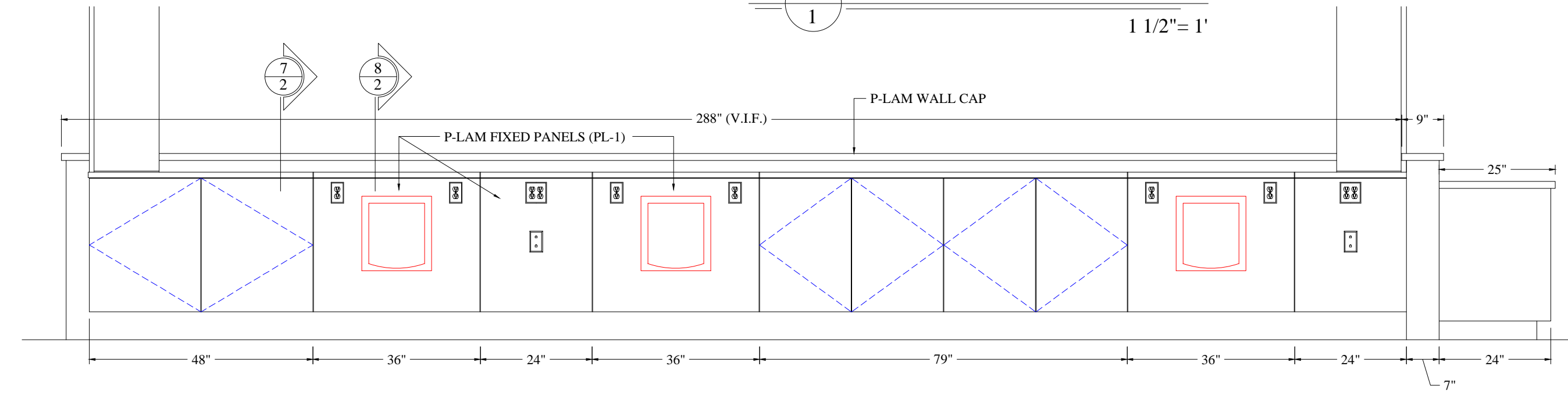
PLAN @ TREATMENT FLOOR CHASE
1/2" = 1'



SECTION @ PD-HHD-EXAM
1 1/2" = 1'



SECTION @ PD-HHD-EXAM
1 1/2" = 1'



ELEVATION @ TREATMENT FLOOR CHASE
1/2" = 1'

YOUR COMPANY NAME
AND LOGO HERE

THESE DRAWINGS ARE THE SOLE PROPERTY OF YOUR COMPANY NAME HERE. THE DRAWINGS MAY NOT BE DUPLICATED, TRACED, COPIED, USED FOR CONSTRUCTION, OR ANY OTHER USE WITHOUT THE WRITTEN CONSENT OF YOUR COMPANY NAME HERE

DRAWN BY:
RM

CHECKED BY:

REVISED:

DATE:
2-7-09

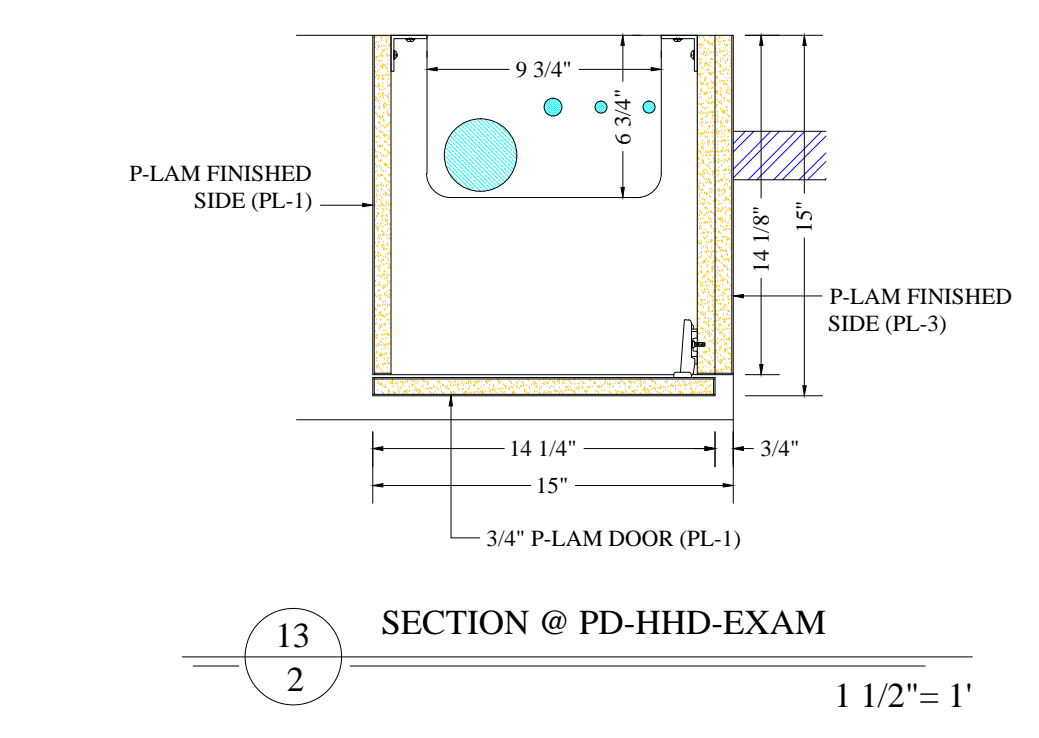
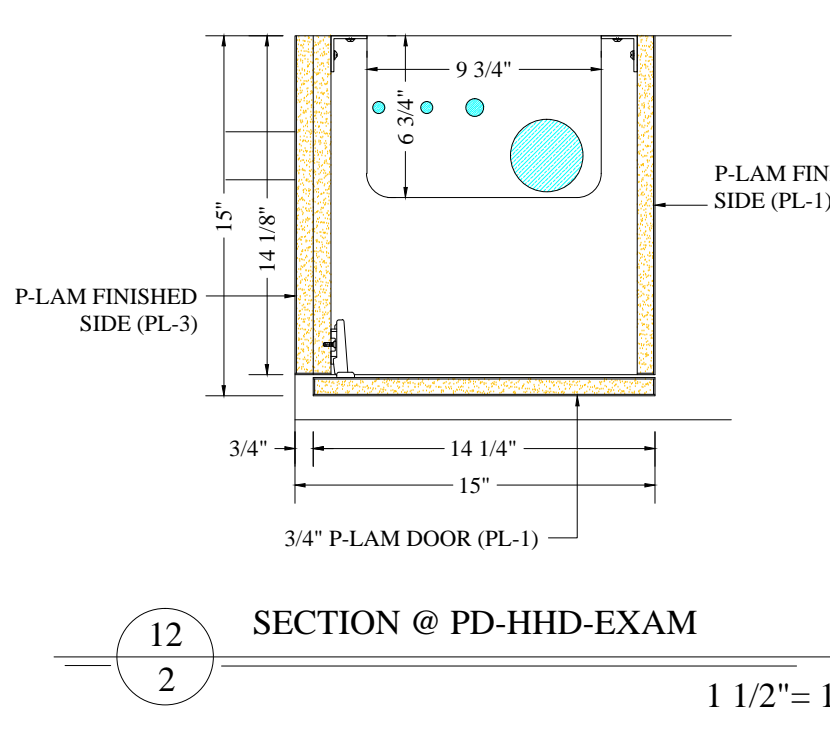
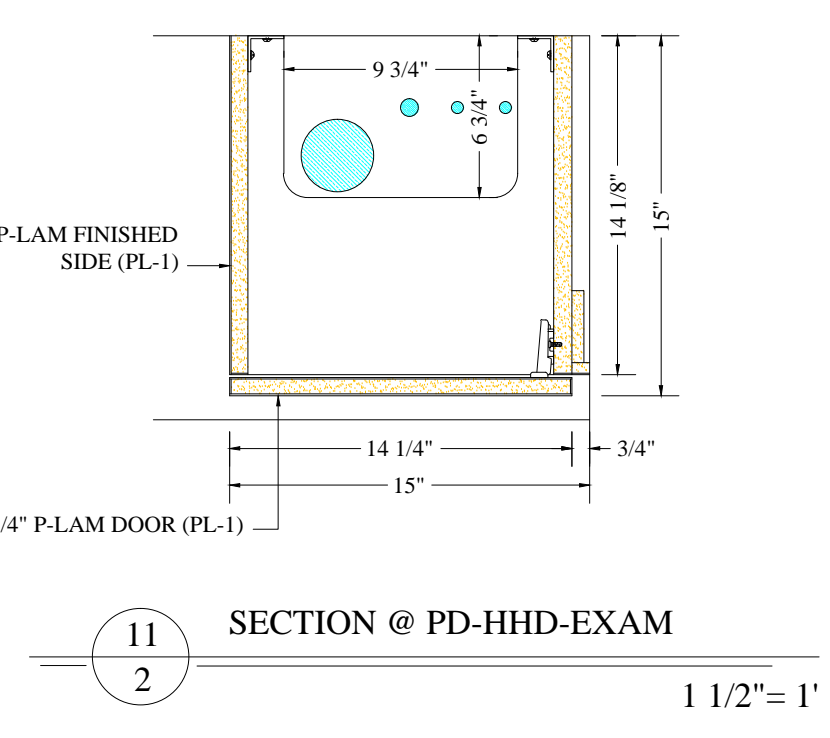
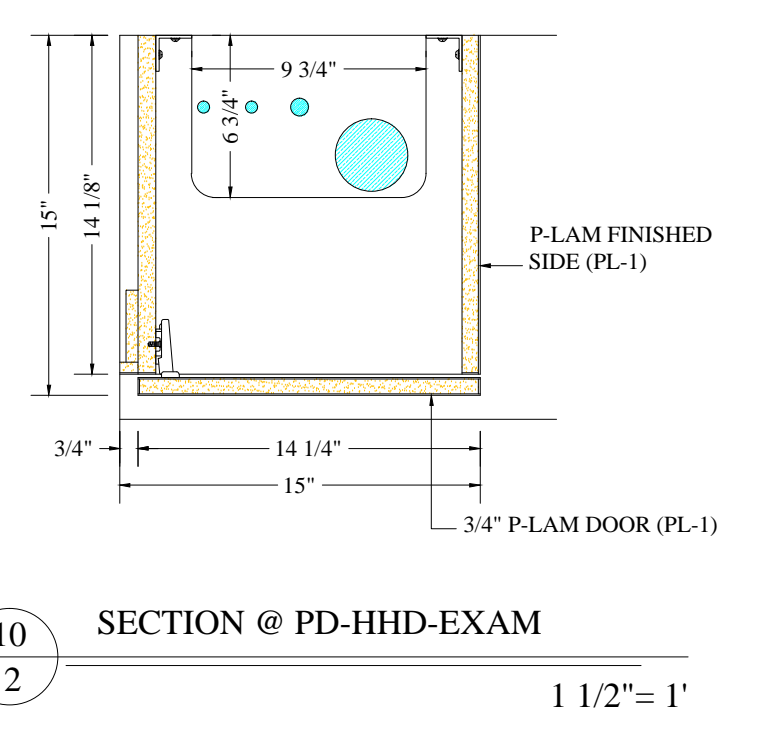
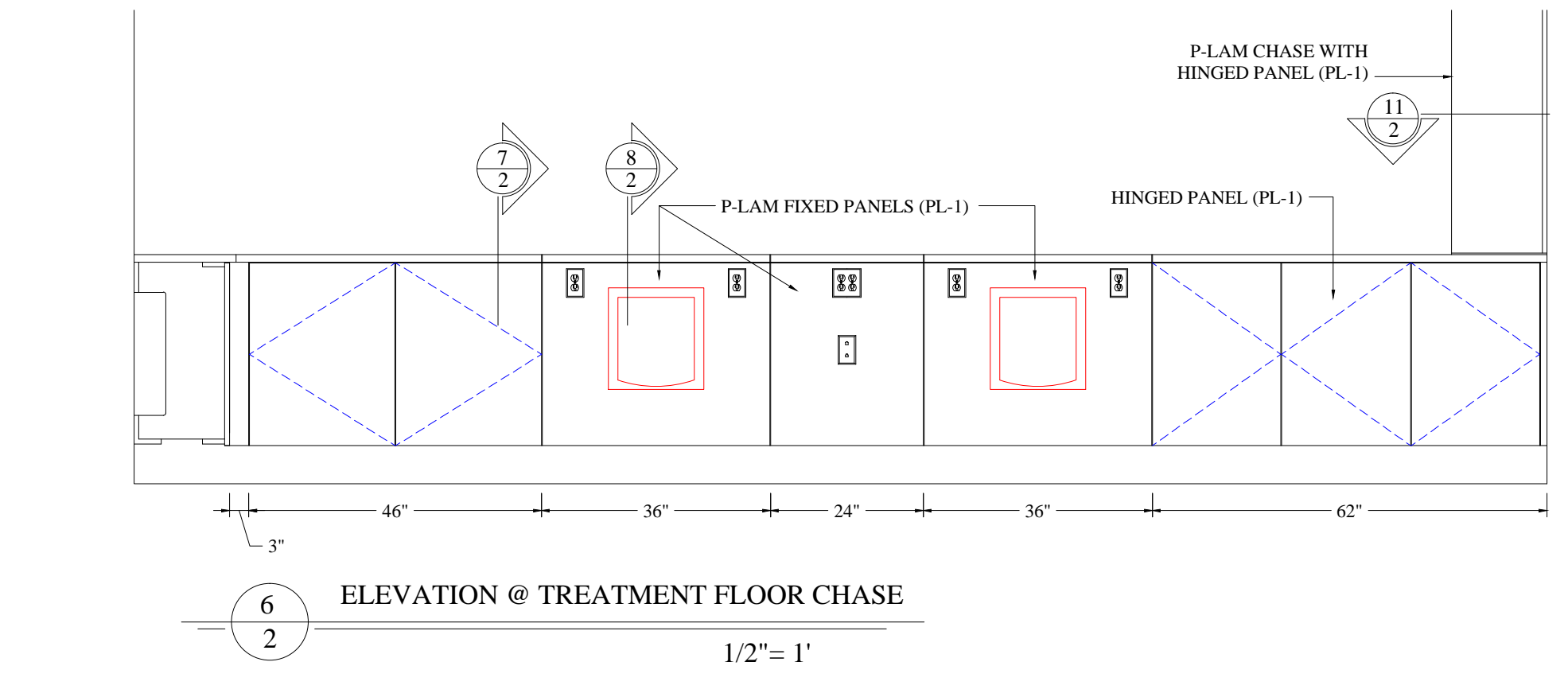
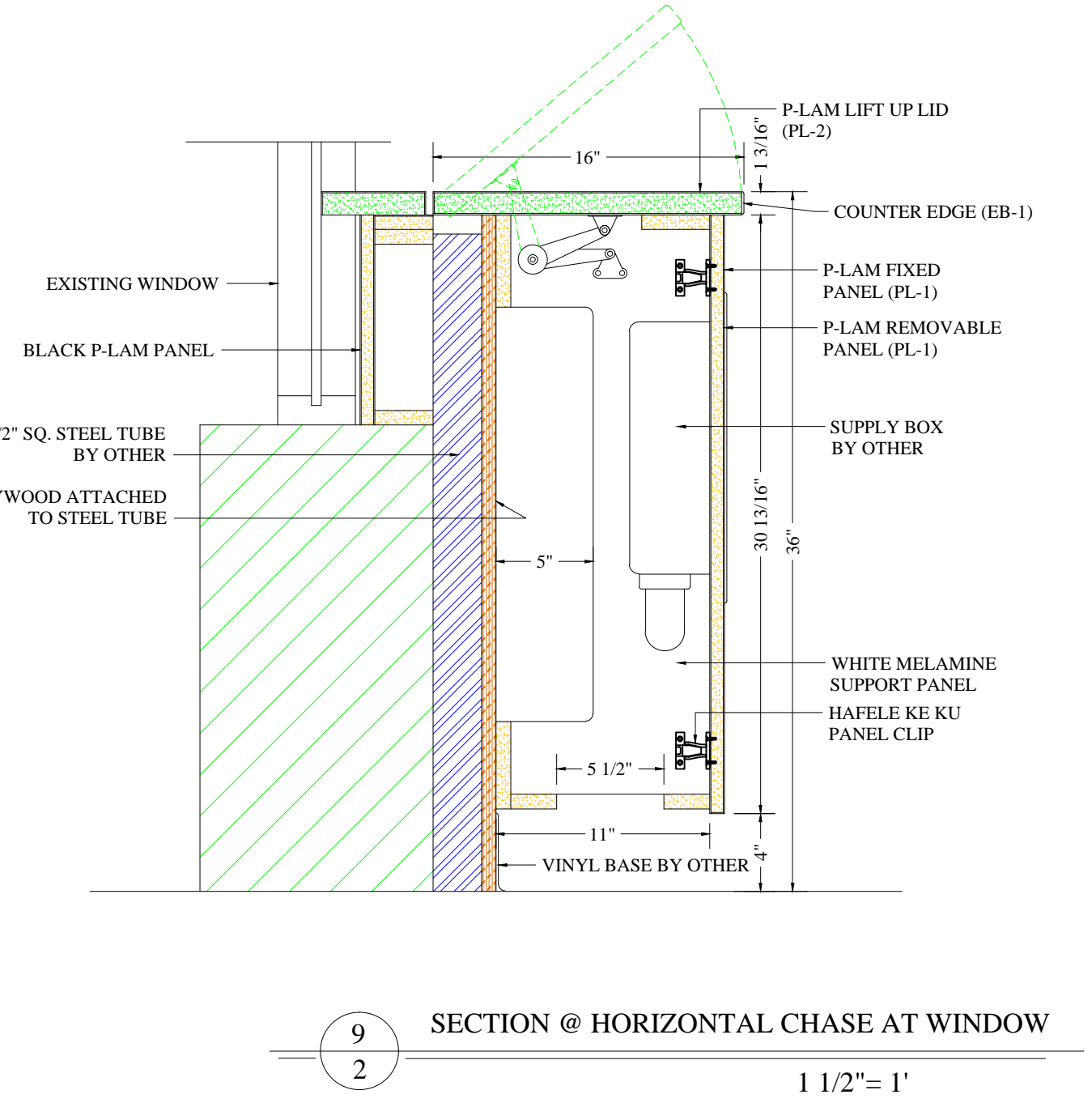
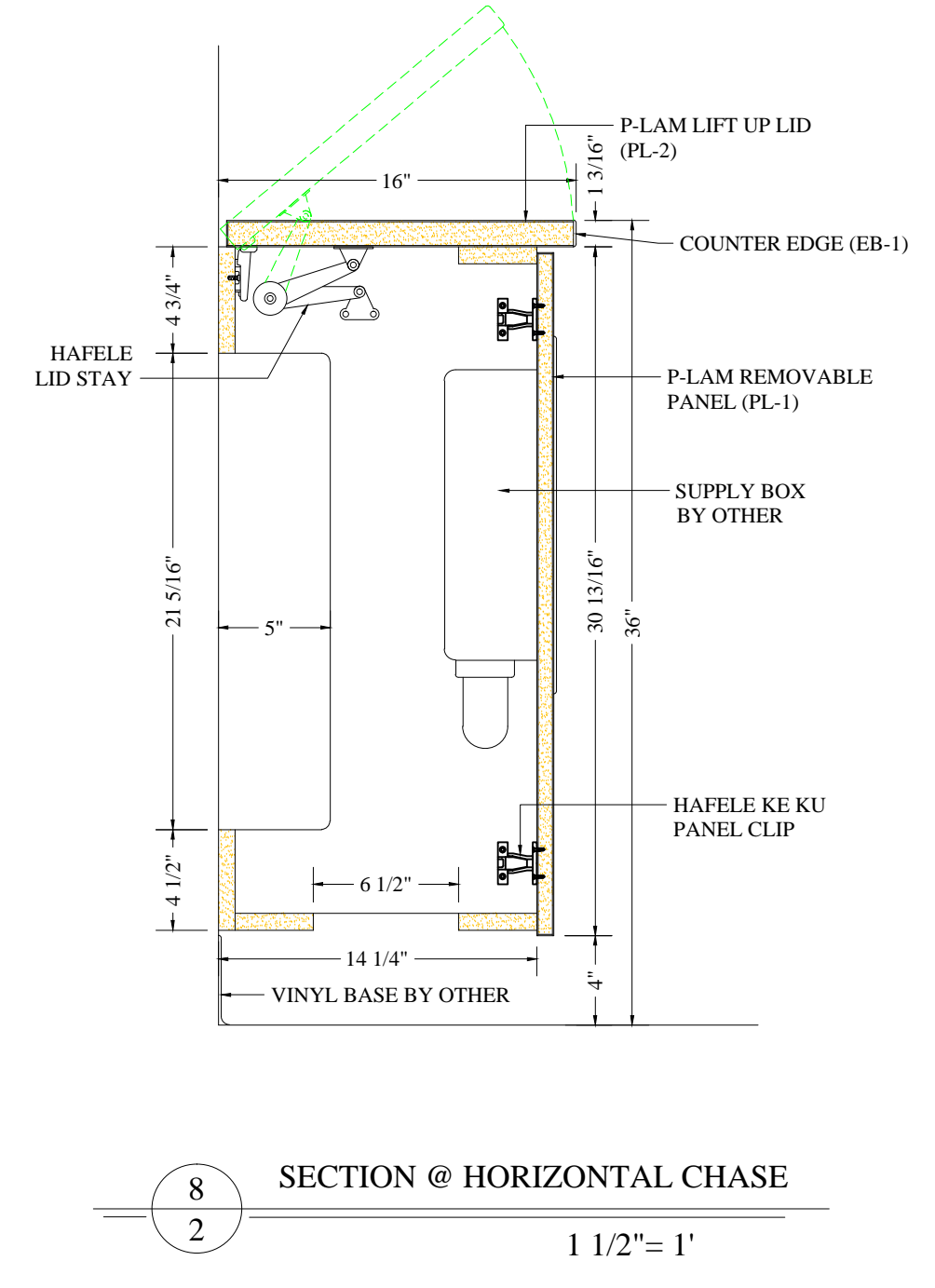
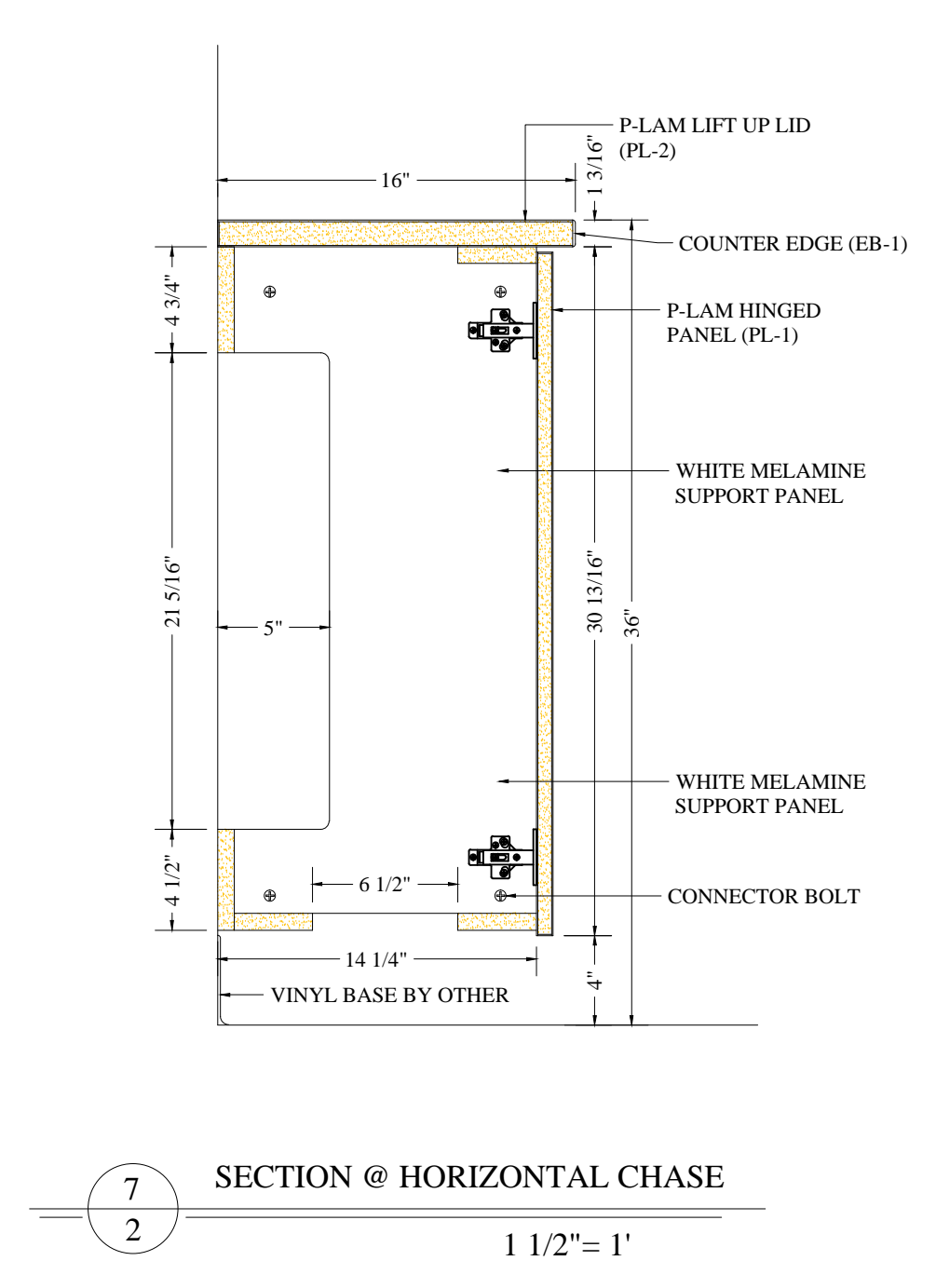
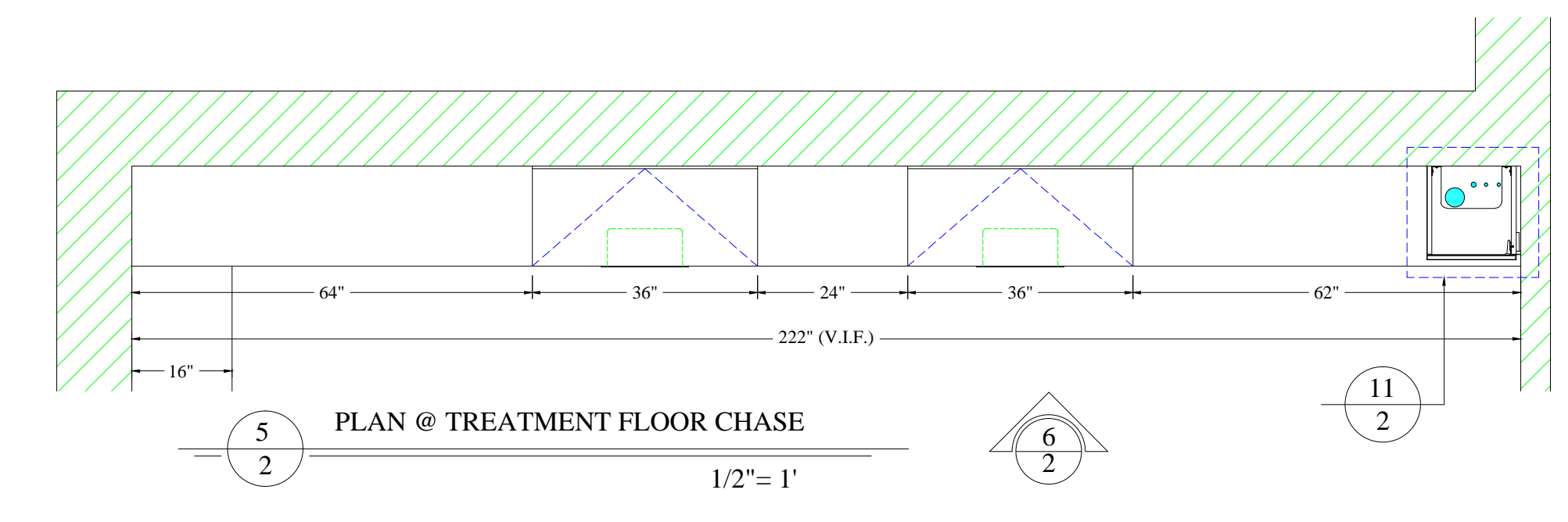
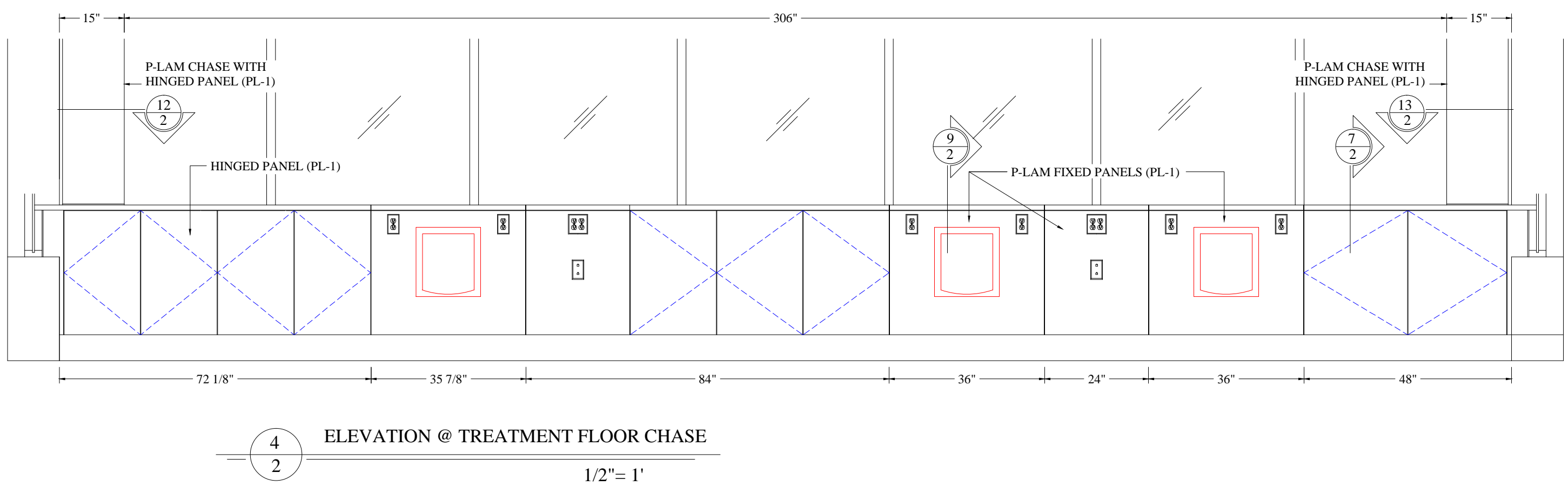
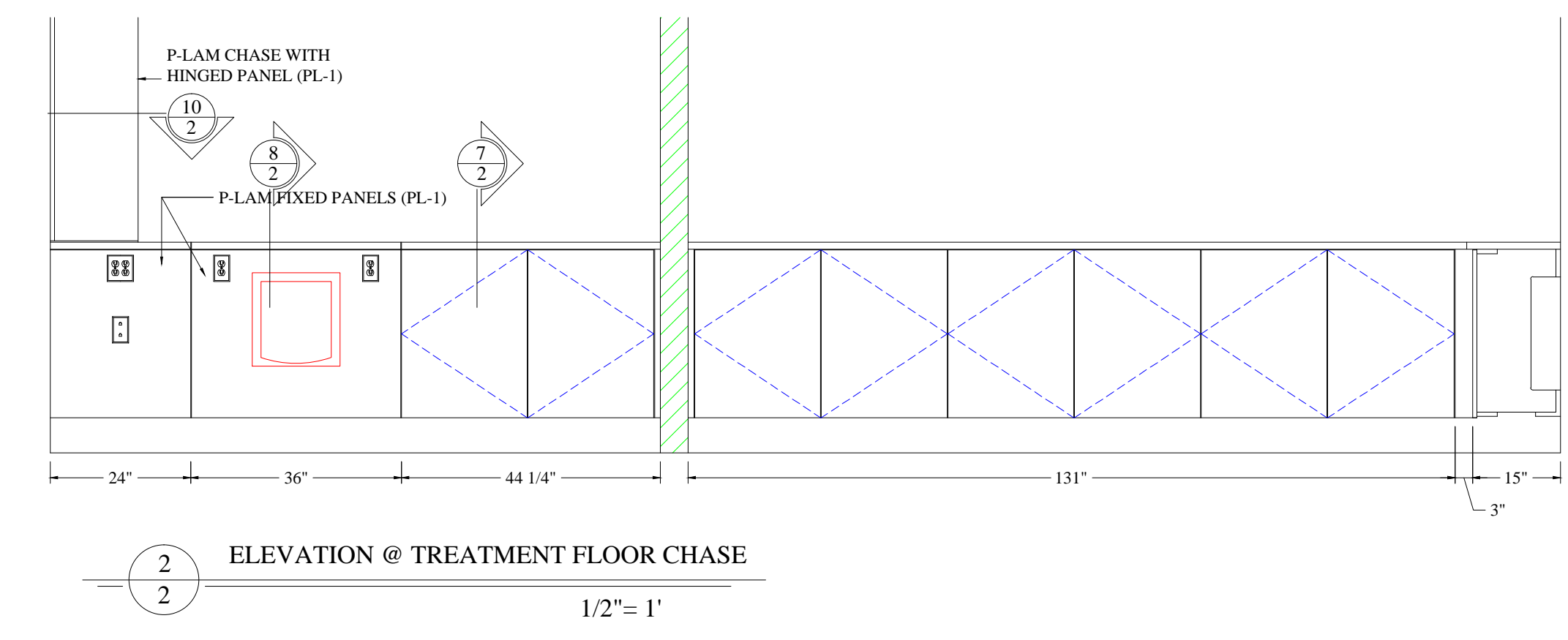
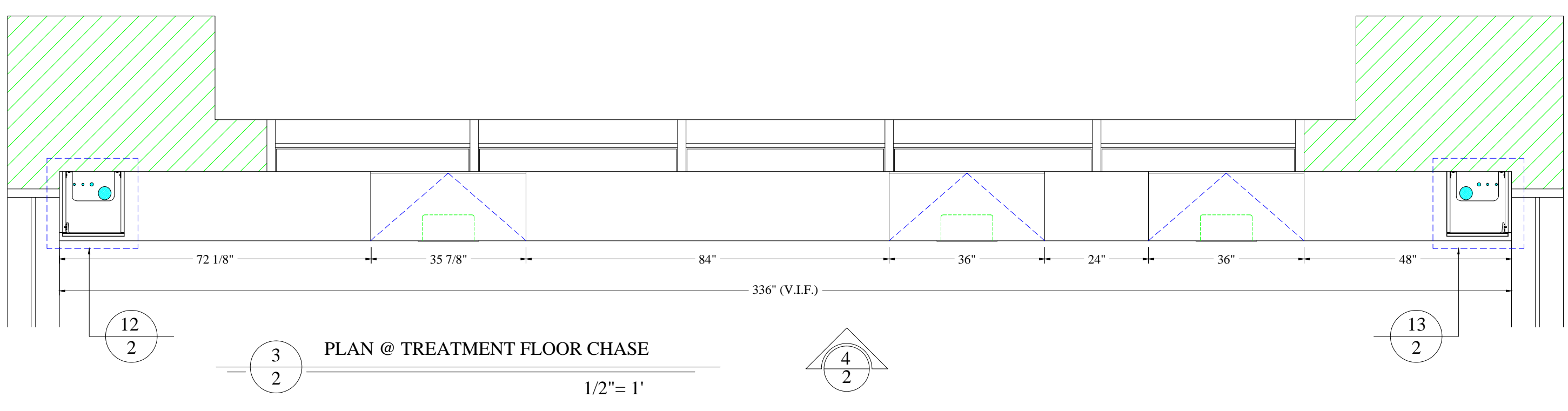
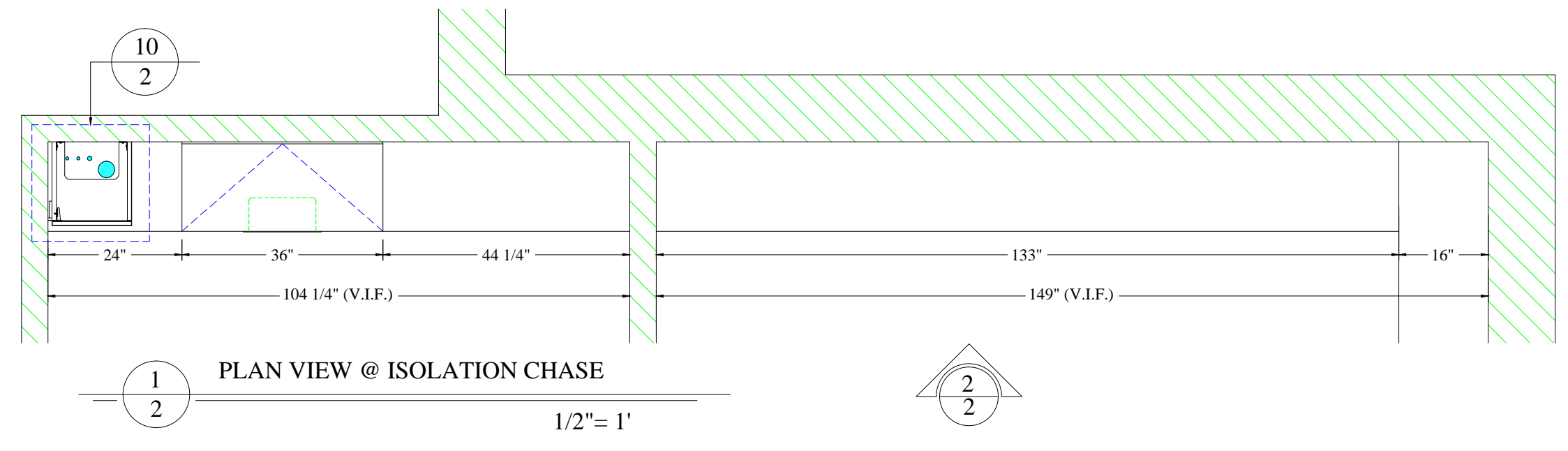
JOB #:

PROJECT NAME HERE

PROJECT TITLE:

SCALE:
NOTED

SHEET #:
1



YOUR COMPANY NAME
AND LOGO HERE

THESE DRAWINGS ARE THE SOLE PROPERTY OF YOUR COMPANY NAME HERE. THE DRAWINGS MAY NOT BE DUPLICATED, TRACED, COPIED, USED FOR CONSTRUCTION, OR ANY OTHER USE WITHOUT THE WRITTEN CONSENT OF YOUR COMPANY NAME HERE.

DRAWN BY:
RM

CHECKED BY:

REVISED:

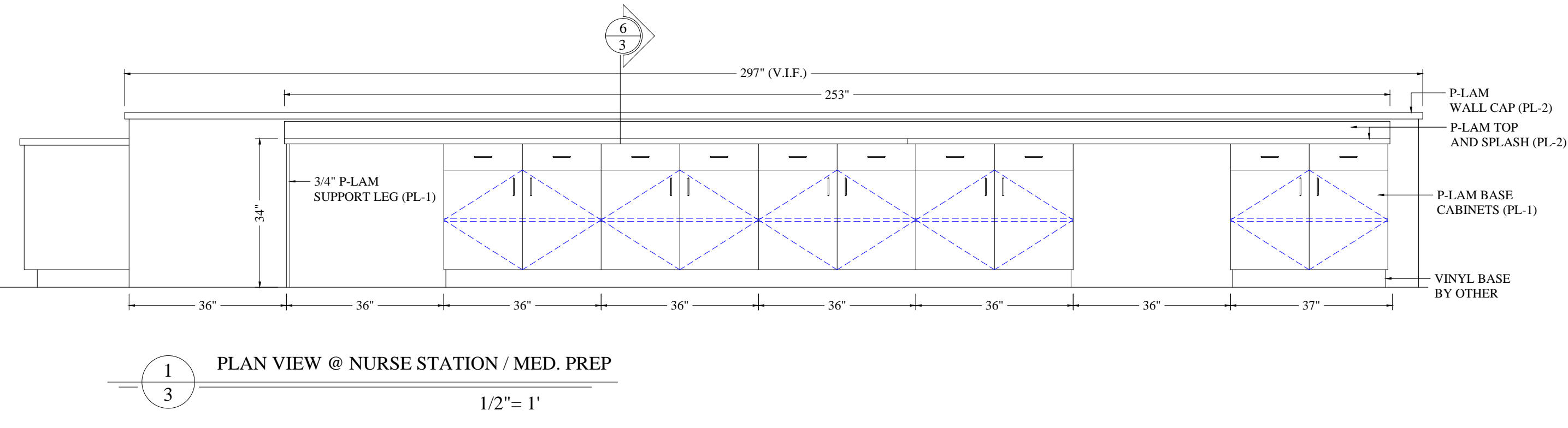
DATE:
2-7-09

JOB # :

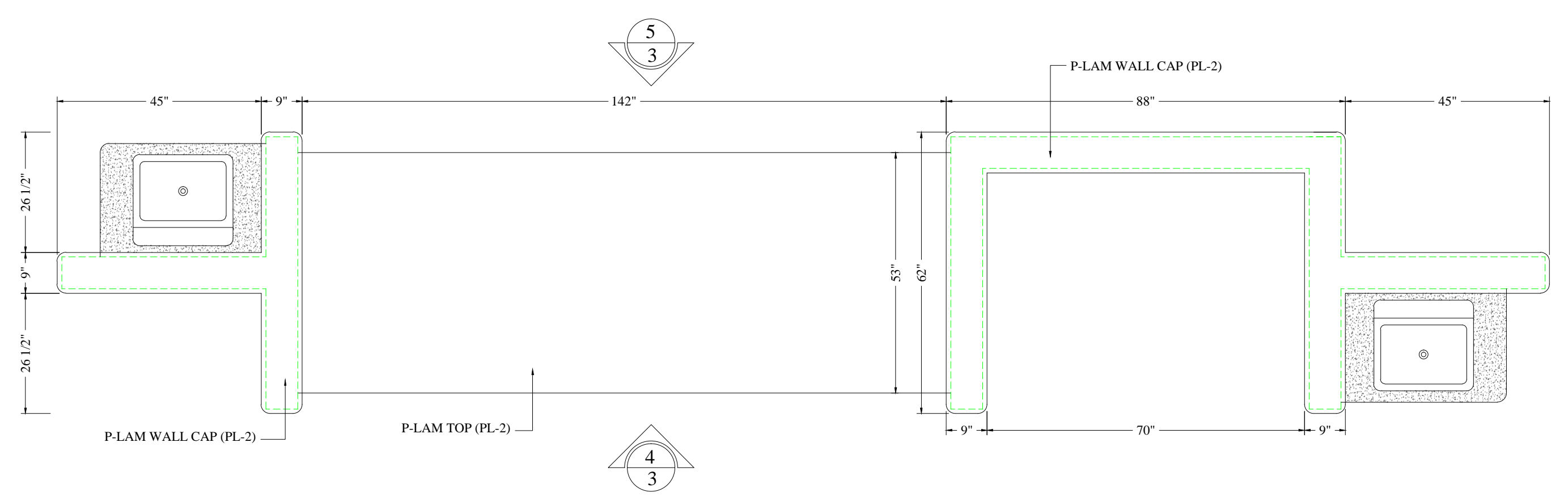
PROJECT TITLE:
PROJECT NAME HERE

SCALE:
NOTED

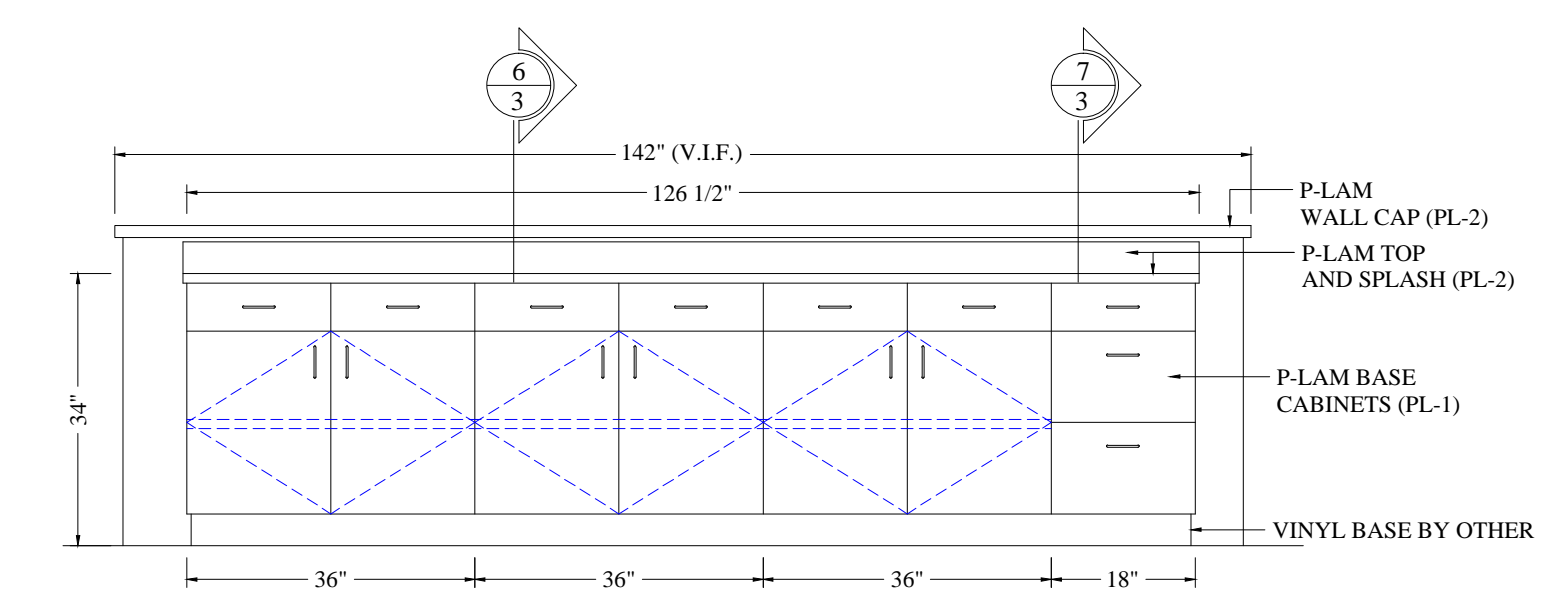
SHEET # :
2



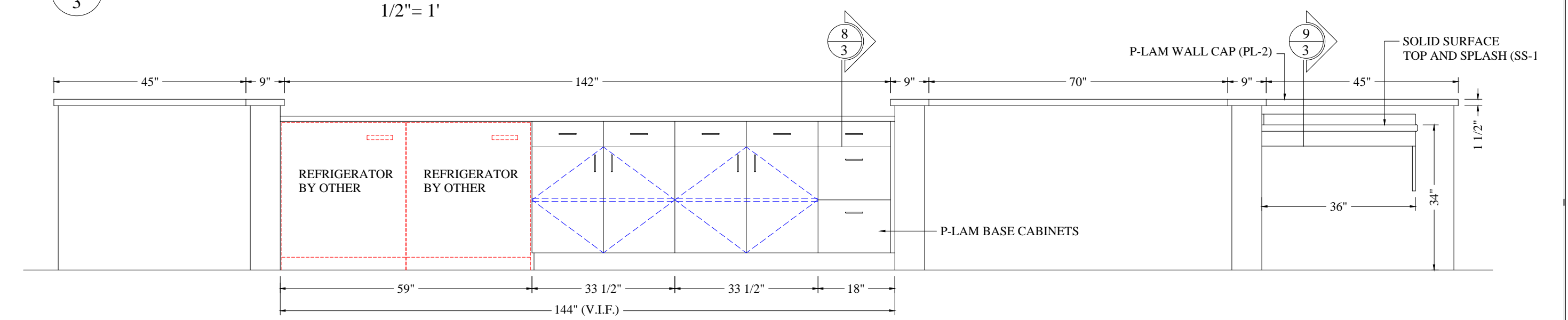
1
3 PLAN VIEW @ NURSE STATION / MED. PREP
1/2" = 1'



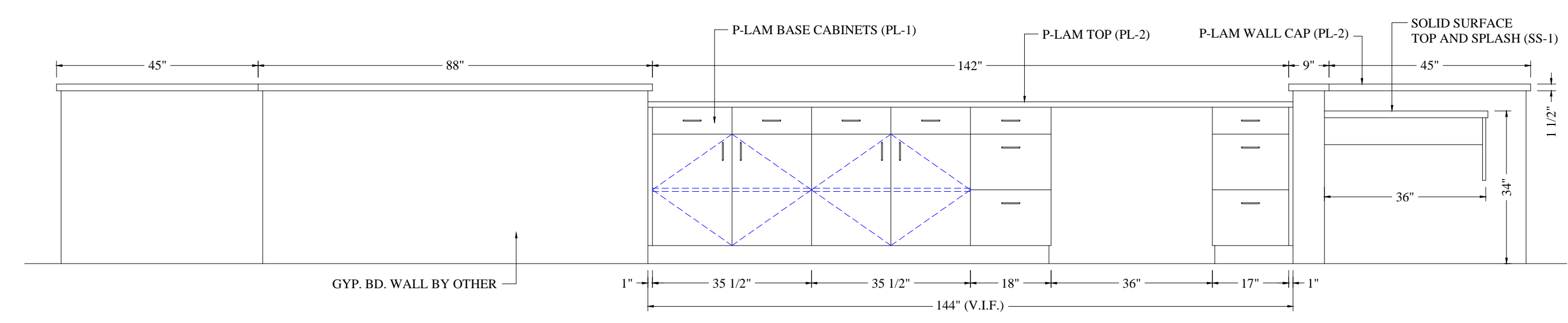
3
3 PLAN VIEW @ NURSE STATION / MED. PREP
1/2" = 1'



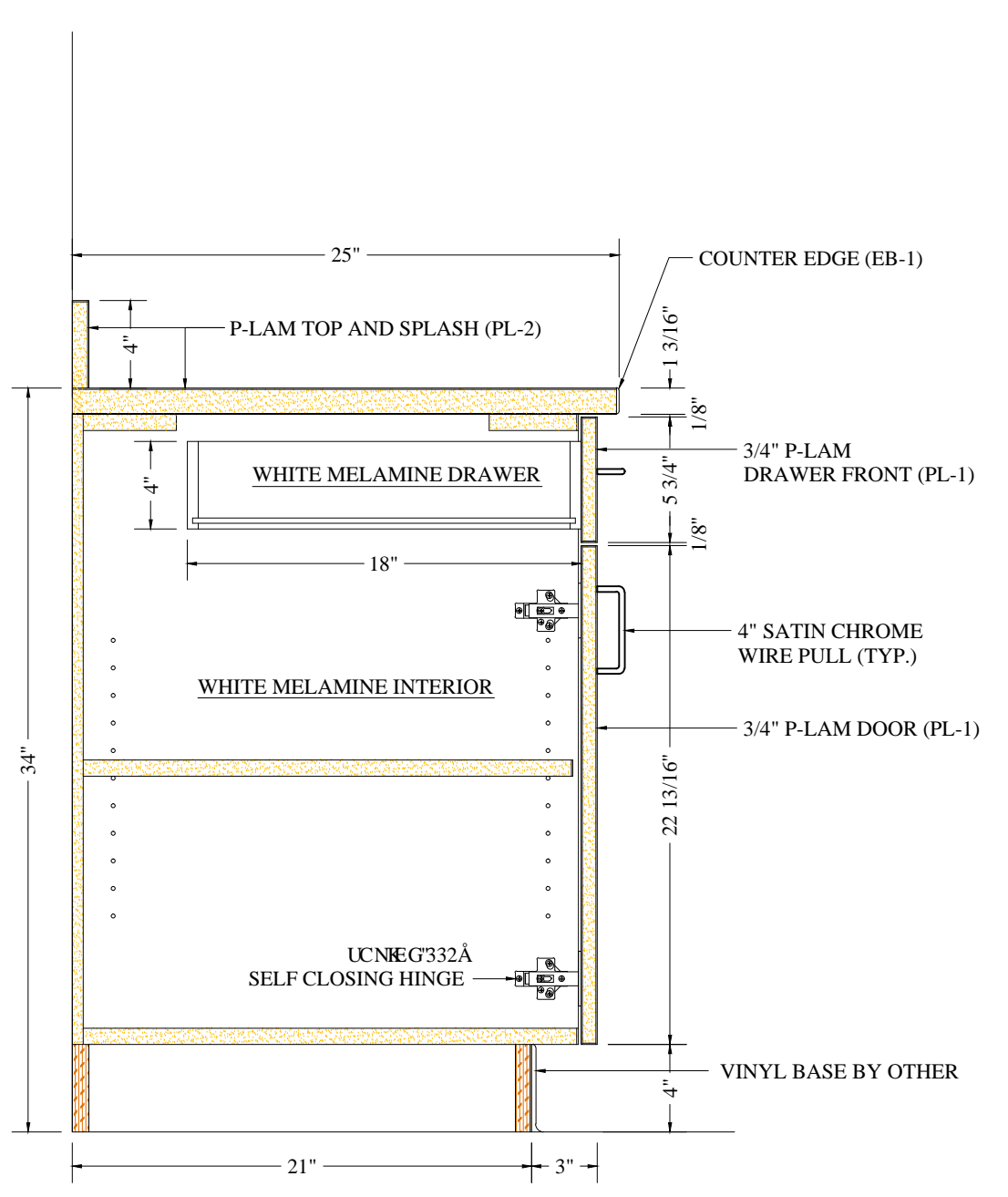
2
3 PLAN VIEW @ NURSE STATION / MED. PREP
1/2" = 1'



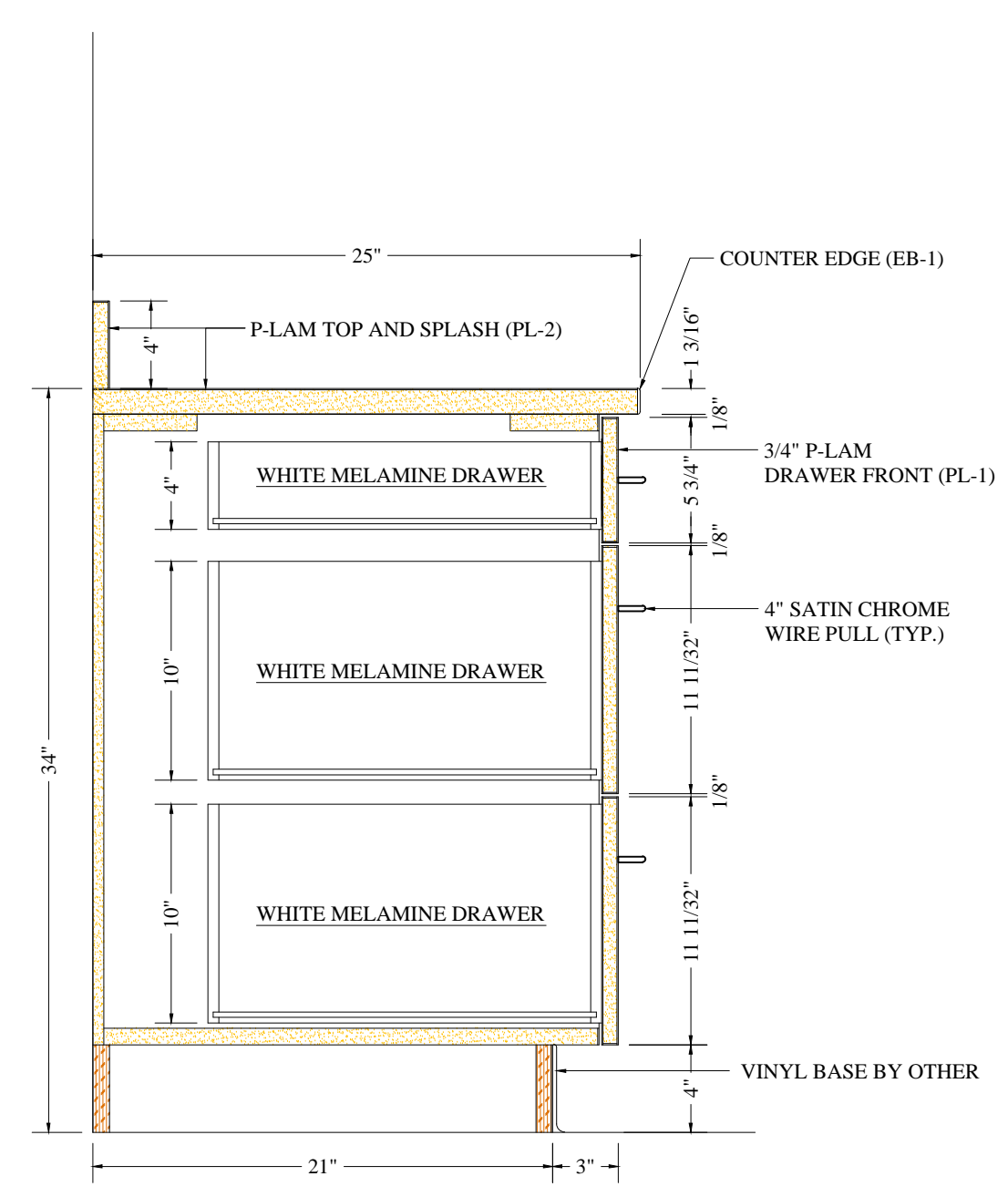
4
3 ELEVATION @ NURSE STATION / MED. PREP
1/2" = 1'



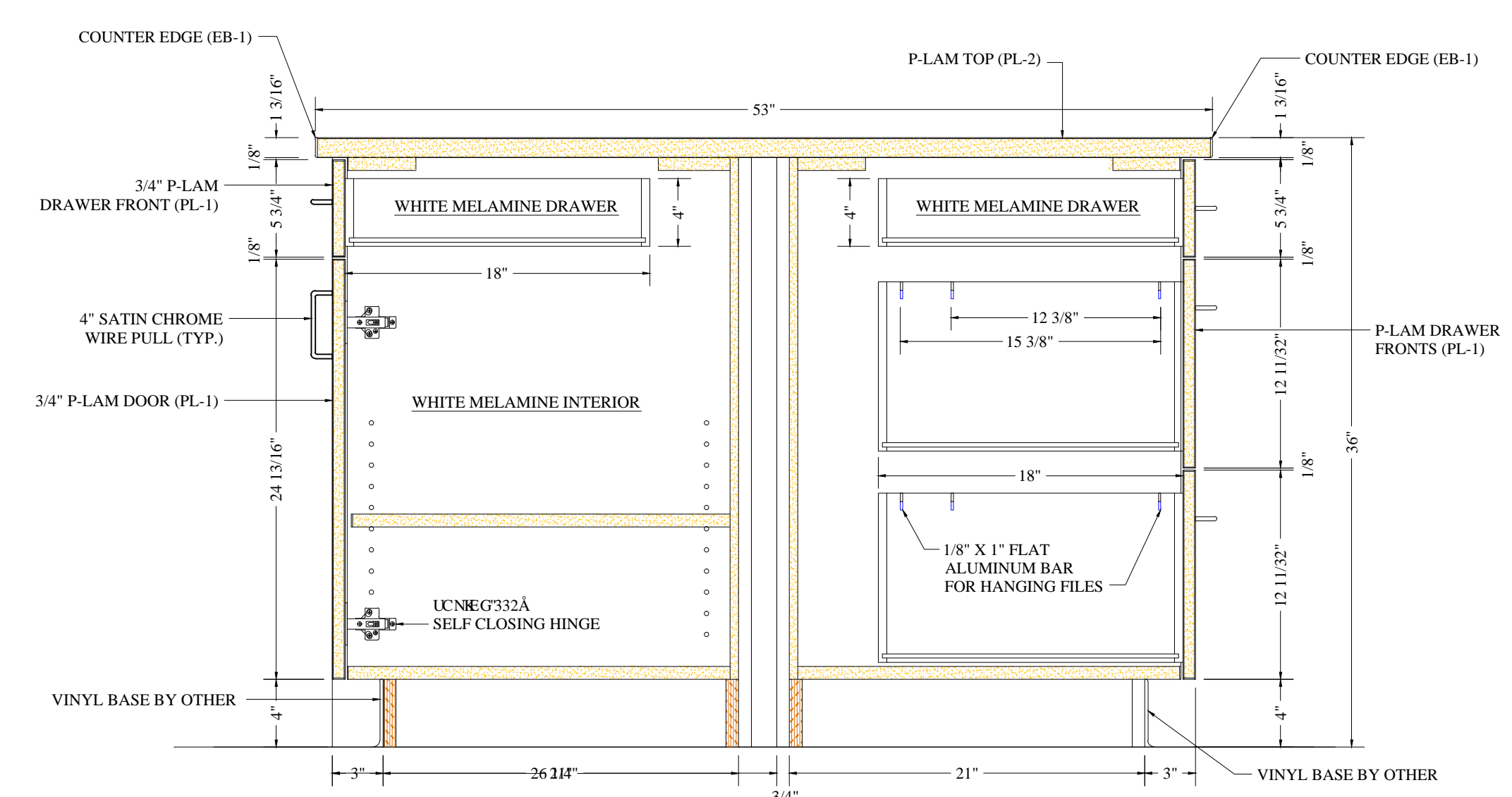
5
3 ELEVATION @ NURSE STATION / MED. PREP
1/2" = 1'



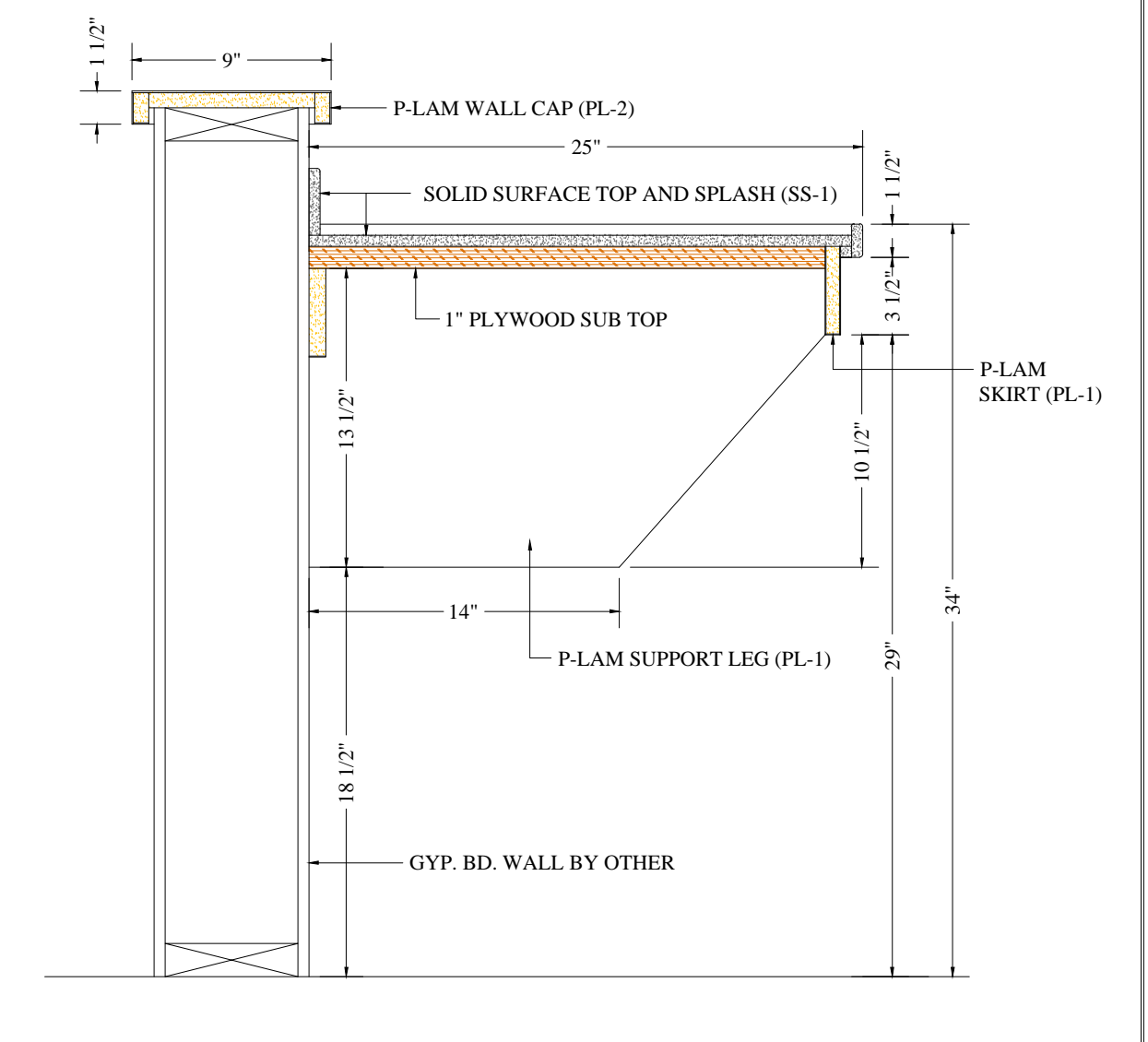
6
3 SECTION @ MED. PREP CABINETS
1 1/2" = 1'



7
3 SECTION @ MED. PREP CABINETS
1 1/2" = 1'



8
3 SECTION @ NURSE STATION / MED. PREP
1 1/2" = 1'



9
3 SECTION @ NURSE STATION / MED. PREP
1 1/2" = 1'

YOUR COMPANY NAME
AND LOGO HERE

THESE DRAWINGS ARE THE SOLE PROPERTY OF YOUR COMPANY NAME HERE. THE DRAWINGS MAY NOT BE DUPLICATED, TRACED, COPIED, USED FOR CONSTRUCTION, OR ANY OTHER USE WITHOUT THE WRITTEN CONSENT OF YOUR COMPANY NAME HERE.

DRAWN BY:
RM

CHECKED BY:

REVISED:

DATE:
2-7-09

JOB # :

PROJECT NAME HERE

PROJECT TITLE:

SCALE:
NOTED

SHEET # :
3